



注重创新，卓越品质
诚信经营，优质共生

Pay attention to innovation,
excellent quality,
integrity management, high quality symbiosis



High Precision Cold Rolled Flat Steel Wire Producer

高精度冷轧扁钢丝生产商

公司介绍 Our Company

江苏厚发精线有限公司位于美丽的长江之滨、“联合国人居奖”获得者城市——中国张家港市，地理位置独特，高铁水路交通便捷。

公司是一家融各种精密异型金属线材、扁平金属线材等产品及生产装备研发、制造、销售于一体的全程服务民营科技型企业；公司产品其主要应用于航空航天、汽车制造、新能源、医疗设备、五金工业等多领域，高端金属异型线材等产品性填补国内空白，产品性能达到和超过国际同类产品水平；公司坚持“科技创新，优化产品，引领行业”的发展思维，力争成为国内产品关键性能可靠、质量稳定、规模突出的高端线材核心产品与成套装备提供商，并向轨道交通、海洋工程、特高压电网等做产业延伸，成为工业新材料与装备细分领域国内领先、国际知名的创新者；公司

聚集了众多行业技术精英及外聘专家，与国内多个高校院所开展协同合作，拥有 10 多年研究与工作经验的研发团队和生产团队，其中硕博比例达 40% 以上。

公司注重原始创新和研发，已申请核心技术相关知识产权 10 多项，先后开发了国内第一条生产汽车专用紧固件和海洋工程用 Z 型钢丝的生产线、连续型 5 联冷压延恒张力等秒流量联调联控自适应高精金属线材生产线，成功突破核心与关键技术，成为 500 强企业、工具行业世界第一的史丹利工具公司的部分原材料的供应商。“注重创新，卓越品质，诚信经营，优质共生”是我们的经营理念；持续向您提供优质的服务和满意的产品是我们永无止境的追求。选择厚发，共创未来。

High Precision Cold Rolled Flat Steel Wire Producer



Howire(suzhou)co.,ltd. is a factory specialized in producing high precision cold rolling flat steel wire and custom shape steel wire. There is only 100kilometers distance to shanghai port, which saves the logistic costs for customers.



Howire has its own international trade company named LIANYUNGANG HOUFA INTERNATIONAL TRADE CO.,LTD. for overseas business. They are associated companies.

HOWIRE has two cold rolling machines. Each machine has five cold rolling heads. Multiple cold rolling heads can get final customized profile in on time rolling. This will save costs for customers in comparing to old technique like cold drawing, slitting and single rolling head machine.

Product from our production lines have the advantage of high precision and consistency. Our size tolerance can reach thickness +/-0.02mm, width +/-0.05mm, roughness< 0.4. We have professional inspection machines for testing the properties of each shipment.

Our product is widely used in kitchenware, hardware, automotive accessories and other industries. Our trapezoid profile strip is well used inwheel balance weights industry.



What Is Cold Rolled Steel

什么是冷轧钢

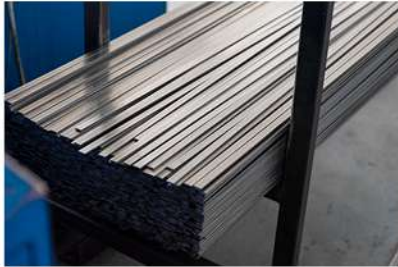
The cold rolling process is a method of shaping steel rod into cold finished bar or wire. The rod is mechanically worked to its final shape by passing through a series of rolling mills at ambient temperature. Compared to other steel processing methods, cold rolled steel properties typically include a smoother, scale-free, finish; less material loss; tight manufacturing tolerances; a higher degree of customization; and up to 50% more tensile strength.





将冷轧钢与其他钢材制造工艺进行比较：

Compare cold rolled steel
against other steel manufacturing processes:



See The Difference

看到区别了吗

ITEMS	HOT ROLLED STEEL VS COLD ROLLED STEEL	
	HOT ROLLED	COLD ROLLED
FINISH	Blisters, scale, and scars	Smooth, bright and superior mechanical finish
PROPERTIES	Not good as cold rolled	Uniform mechanical properties further hardens the steel, increasing tensile strength by up to 50%
ACCURACY	Not good as cold rolled	Accuracy to +/- 0.001 (+/- 0.025mm)
ITEMS	COLD DRAWN VS COLD ROLLED STEEL	
	COLD DRAWN	COLD ROLLED
DIE	Short working life of die, pull the wire rod through die to get the final shape, low production efficiency	Long working life of die, flatten the wire rod through four stand rolling heads to
PROPERTIES	Comparatively rougher surface finish, less uniformity in the mechanical properties	Superior hardness and smooth finish, uniformity in the mechanical properties, offers the smoothest and most consistent finish of any pre-machined shaping process
ITEMS	MACHINING VS COLD ROLLED STEEL	
	MACHINING	COLD ROLLED STEEL
COSTS	Highest	relatively lower costs

Value Added Service

增值服务



Howire 在您的冷轧钢项目的每个阶段都提供灵活的服务和高水平的技术专长。我们的团队可以在前端提供工程，设计，FEA 分析和 CAD 支持，直到后端进行内部实验室测试，评估和文档。

我们的技术专家团队可以进行全面的材料测试，以确保您的产品符合确切的规格。我们有一个内部质量实验室，为您的项目提供评估，测试和文档。

豪威尔为冷轧钢提供不同的光洁度选项和定制的回火以获得理想的性能，例如双区氮 / 氢退火炉。

Howire offers nimble service and high-level technical expertise throughout every phase of your cold rolled steel project. Our team can provide engineering, design, FEA analysis and CAD support on the front end all the way to in-house lab testing, evaluation and documentation on the back end.

Our team of technical experts can perform thorough material testing to ensure your product meets your exact specifications. We have an in-house Quality Lab to provide the evaluation, testing, and documentation for your project.

Howire offers different finish options along with custom tempers for cold rolled steel to get the desired properties, like dual zone nitrogen/hydrogen annealing furnaces.



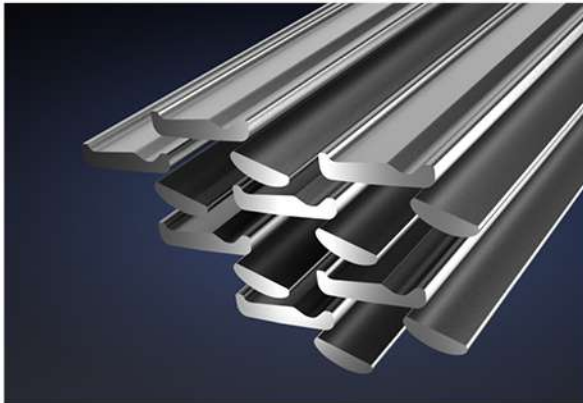
Product

金属异形线材的用途

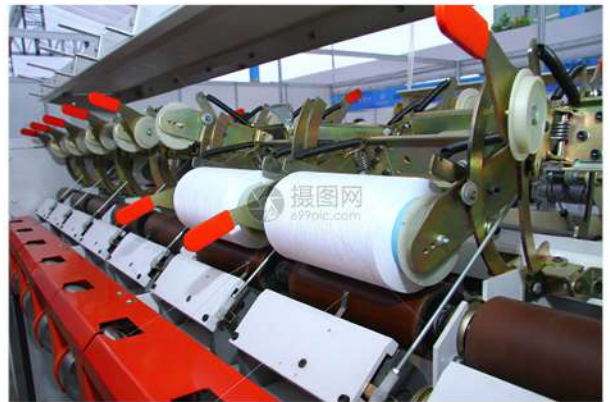
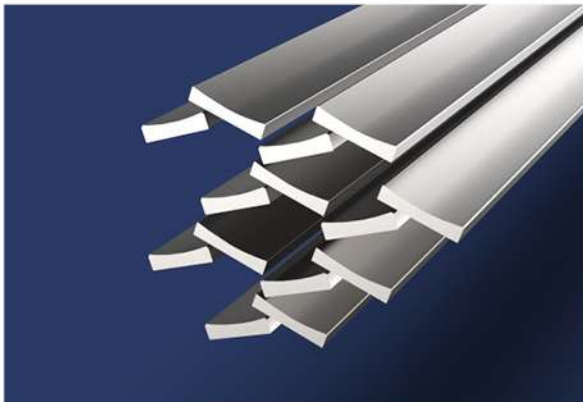
Howire 是用碳素钢，不锈钢和其他合金钢盘条生产的冷轧扁钢卷的领先制造商。Howire 的年生产能力超过 20,000 吨，是以下领域用户的供应商：

Howire is a leading manufacturer of cold rolled flats in coils from all carbon steel ,stainless steel and other alloy steel wire rod. With a production capacity of more than 20,000 tons/year, Howire is the supplier of the users in the field of:

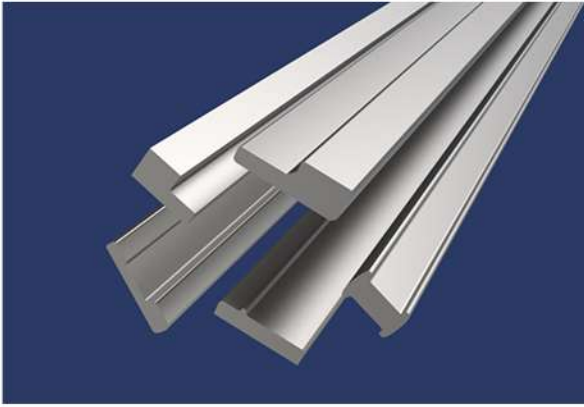
Power fixture, power transmission circuit 电力夹具，输变电路



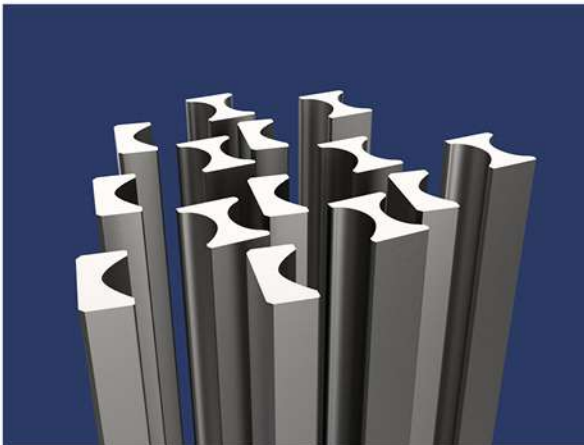
Textile machinery 纺织机械



Power fixture, power transmission circuit 文具类



Power fixture, power transmission circuit 电力设备



Power fixture, power transmission circuit 石油设备



Power fixture, power transmission circuit 门窗五金



Power fixture, power transmission circuit 汽车行业

Power fixture, power transmission circuit 工业自动化

注重创新，卓越品质，诚信经营，优质服务
Pay attention to innovation, excellent quality, integrity management, high quality services



Power fixture, power transmission circuit 工业过滤器

Power fixture, power transmission circuit 手动工具类



Howire(suzhou)co.,ltd

Lekun road,linjiang technique zone, zhangjiagang city,
Jiangsu province, China

Tel: +86-512-5866 9035 / +86-512-58669350

B.P.: +86 130 0346 0899

E-mail: sales@houfaco.cn

There are many ways to contact us. You may drop us a line, give us a call or send an email, choose what suits you most.